

PLAYGROUND SPIELPLATZ

GIOCO AIRE DE JEUX

(356 x 293 x h262cm)

003_09850_07122025

MaxPlay 2.2

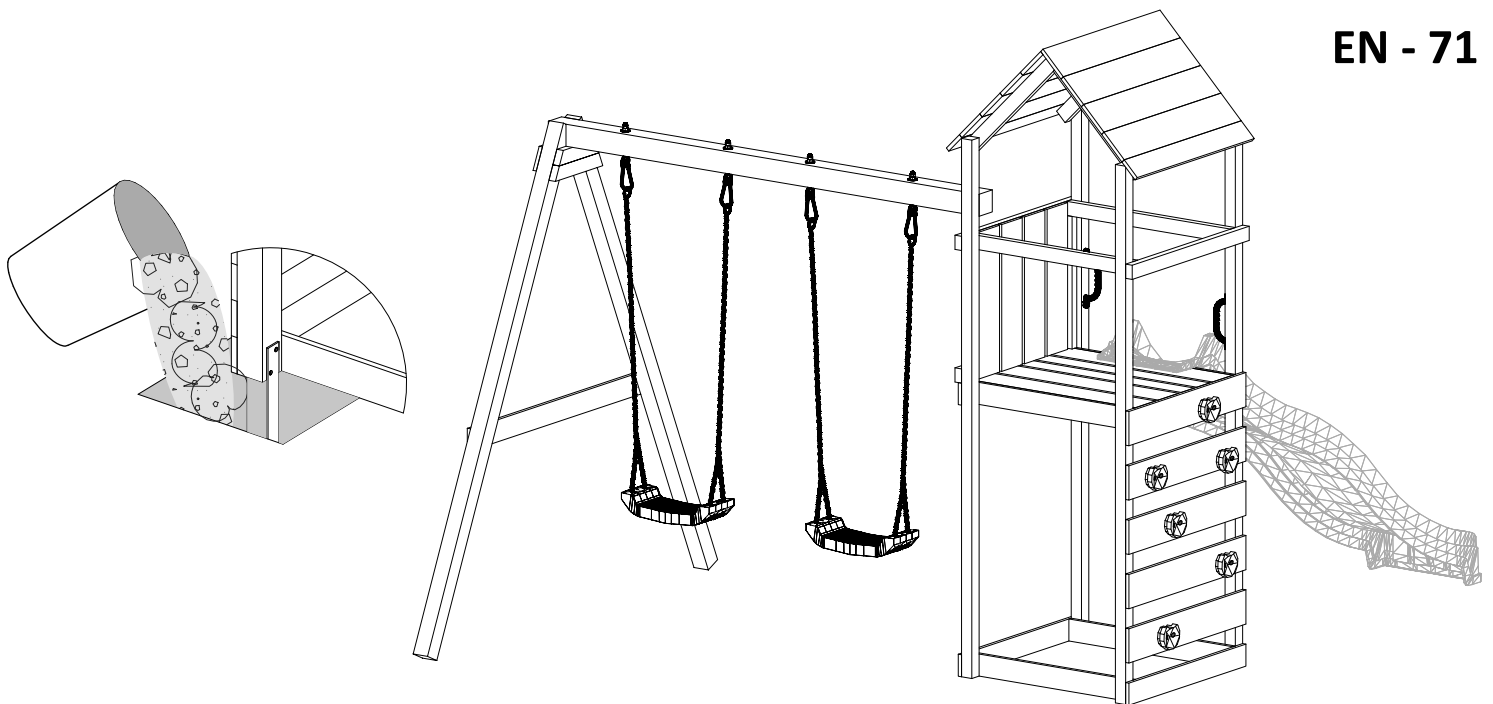
INSTALLATION INSTRUCTIONS
MONTAGEANLEITUNG

ISTRUZIONI DI MONTAGGIO
GUIDE D'INSTALLATION

Warranty period - 2 years from purchase date
Garantiezeit - 2 Jahre ab Kaufdatum

Periodo di garanzia - 2 anni dalla data di acquisto
Période de garantie - 2 ans à compter de l'achat

EN - 71



WARNINGS!

Only for home use.
Dedicated for external use only.
Not suitable for children under 3 years old.
Risk of falling down and/or hitting.
Maximum user weight is up to 50 kg.
Maximum number of users staying on the
playground at the same time: 7.

ACHTUNG!

Nur für den privaten, häuslichen Bereich.
Ausschließlich für die Verwendung im Freien.
Nicht geeignet für Kinder unter 3 Jahren.
Stolper- und / oder Sturzgefahr
Höchstgewicht pro Einzelkind beträgt 50 kg
Der Aufenthalt auf diesem Spielturm ist max. : 7.
Kindern gleichzeitig erlaubt.


ATTENZIONE!

Solo per uso domestico.
Articolo per uso esterno.
Previsto per bambini di età superiore ai 3 anni.
Pericolo di caduta, e/o impatto.
Peso massimo di utente : 50kg
Numero massimo di utilizzatori
del gioco nello stesso momento: 7.


AVERTISSEMENT!

Aire exclusivement destinée à un usage privé.
Aire exclusivement destinée à un usage en extérieur.
Prévue pour les enfants de plus de 3 ans.
Danger de chute ou de choc.
Poids maximal d'un utilisateur : 50 kg.
Nombre maximal d'utilisateurs présents en
même temps sur la même aire de jeux: 7.


W80 x46
+1 Gratis



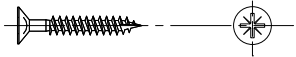
W60 x32
+1 Gratis




W40 x105
+1 Gratis



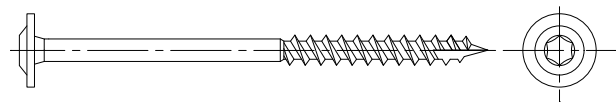
W30 x2



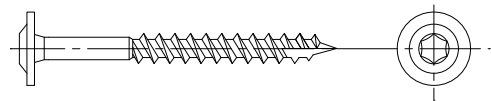
W20 x4



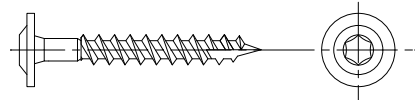
T120 x2



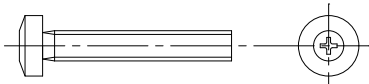
T80 x6



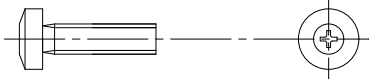
T60 x56



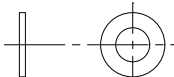
S50 x4



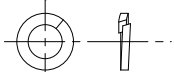
S30 x12



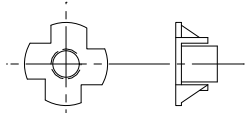
P17 x16



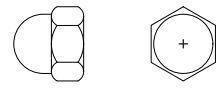
P15 x12



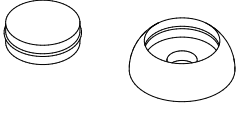
L11 x16



M10 x4



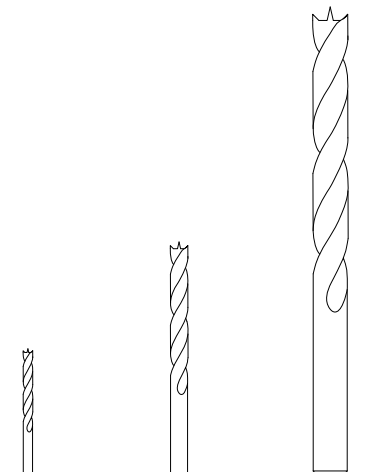
OS1 x4



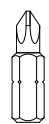
Ø3 00239 x1

Ø5,5 01372 x1

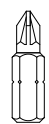
Ø10 00188 x1



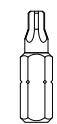
PH3 00068 x1



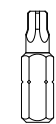
PZ2 00241 x1



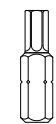
TX25 00190 x1

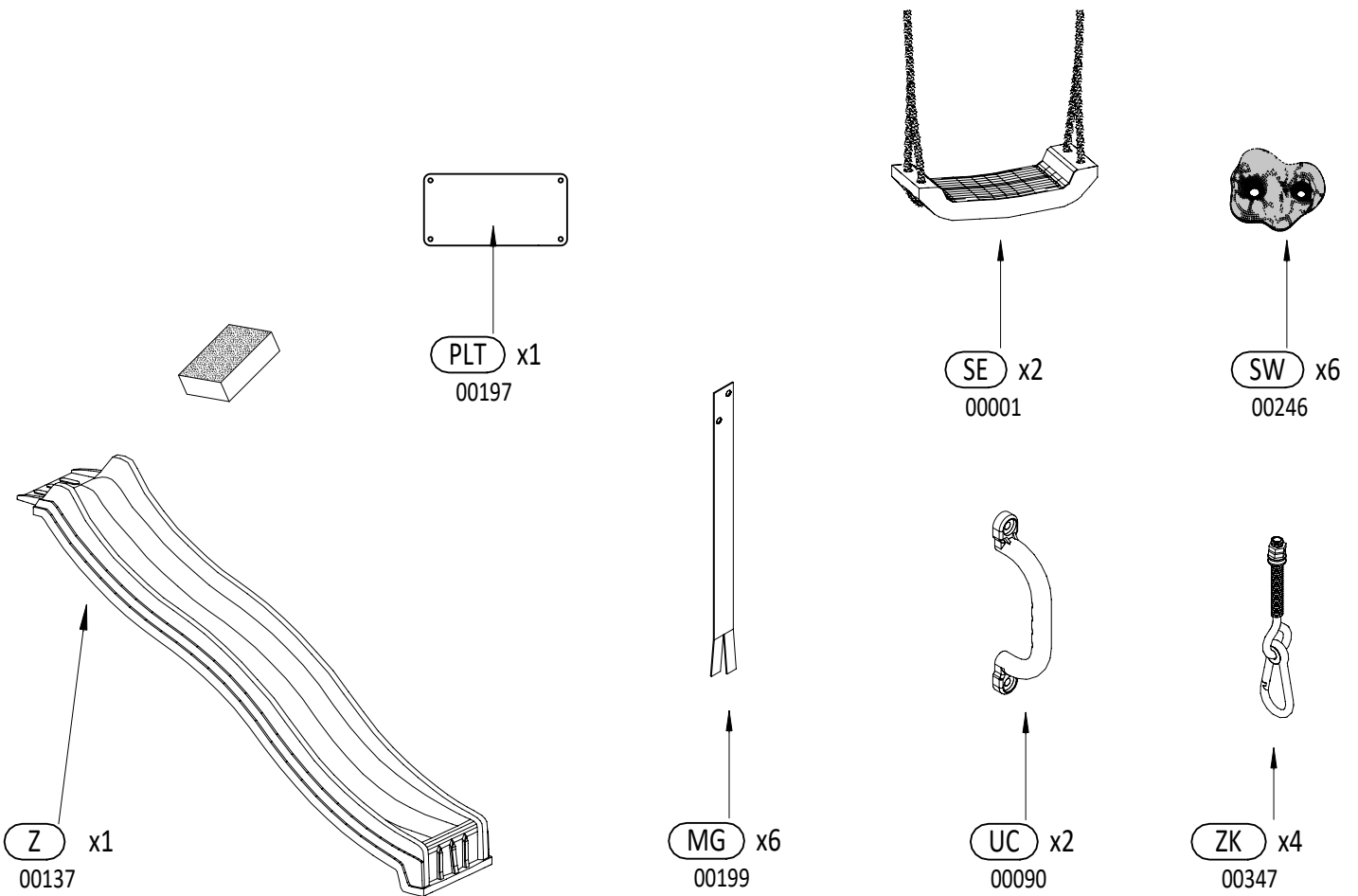
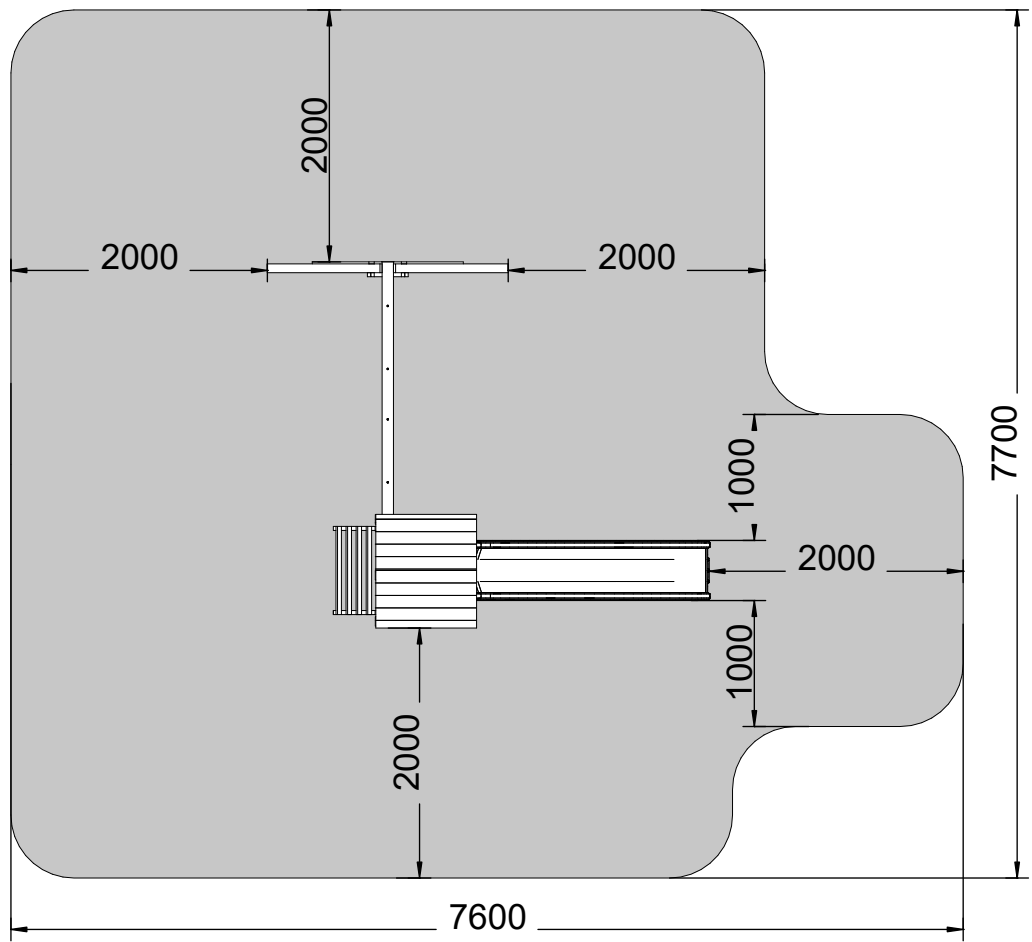


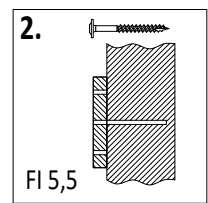
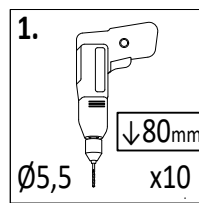
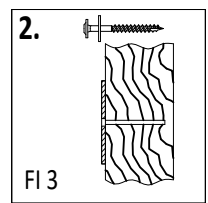
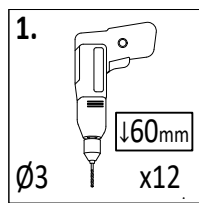
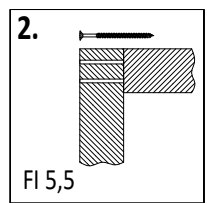
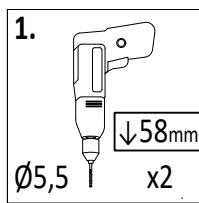
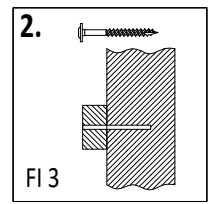
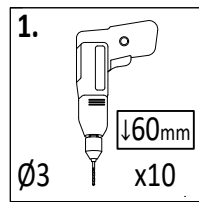
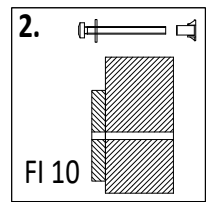
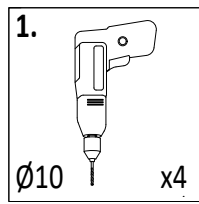
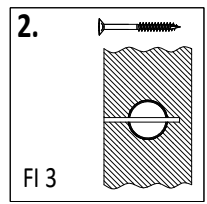
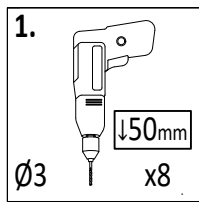
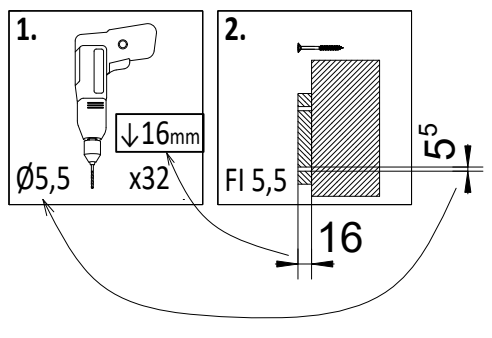
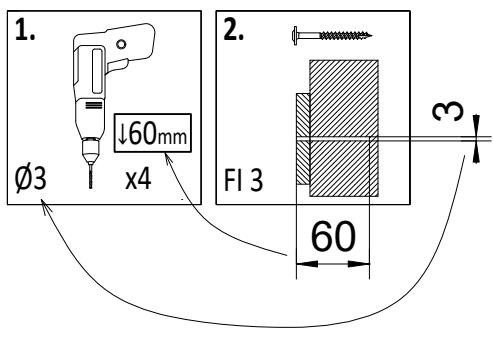
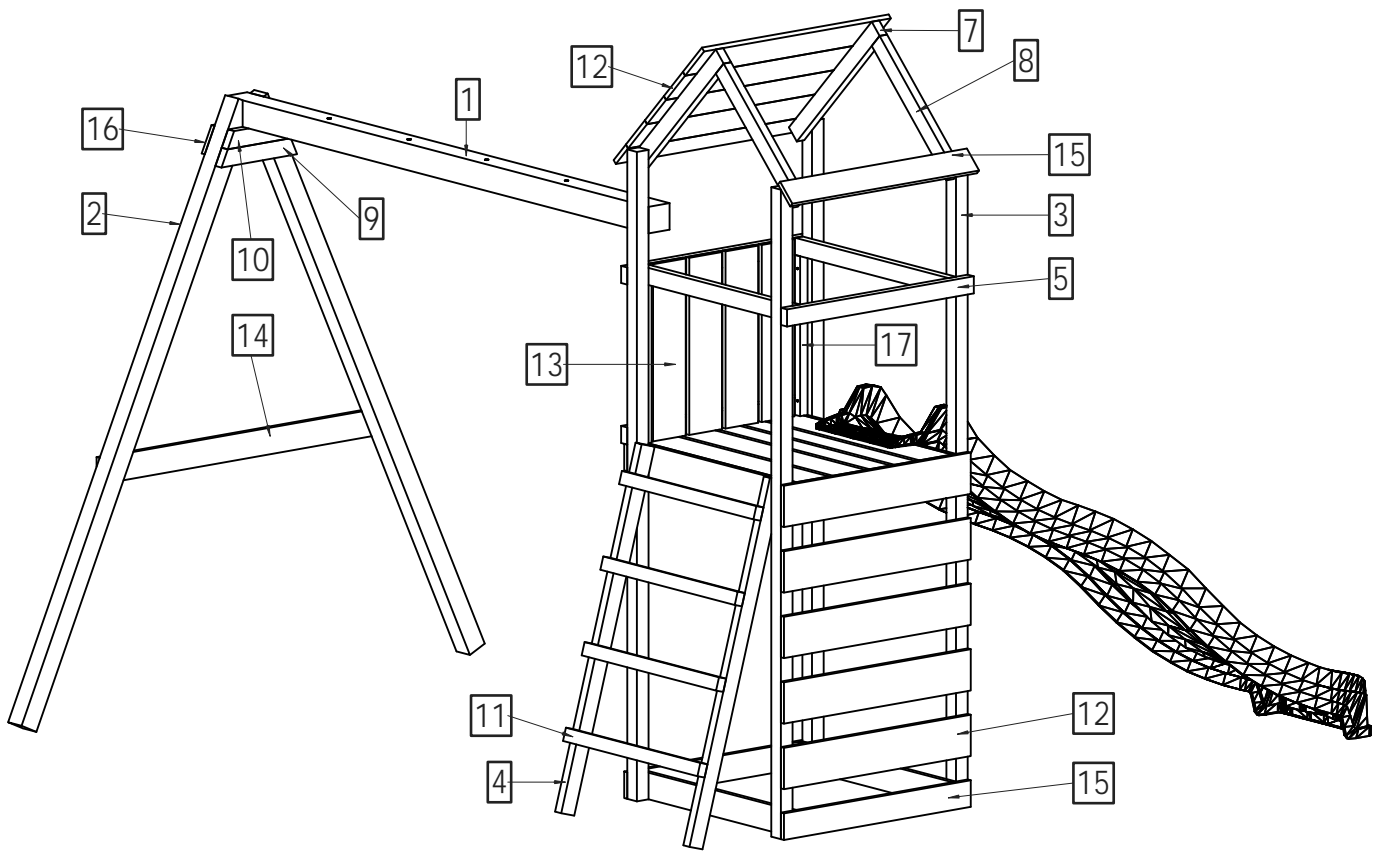
TX30 00316 x1

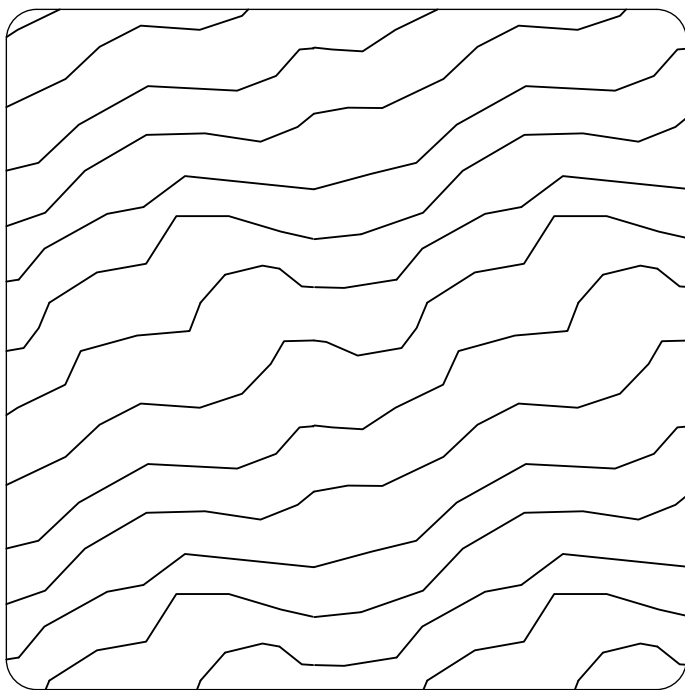


TX40 00242 x1

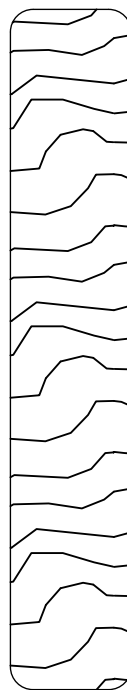




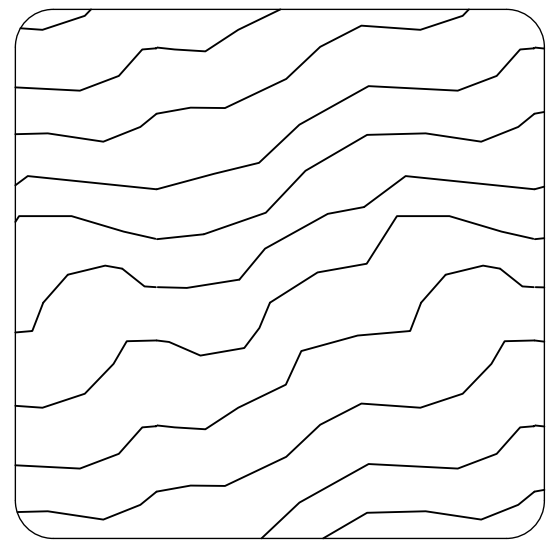




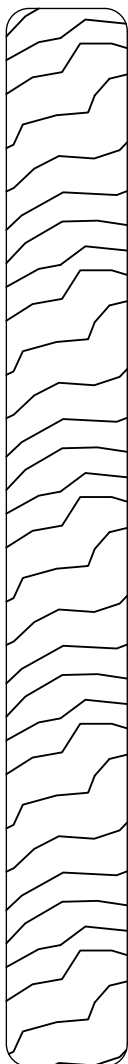
9 x 9 cm



1,6 x 9,0 cm

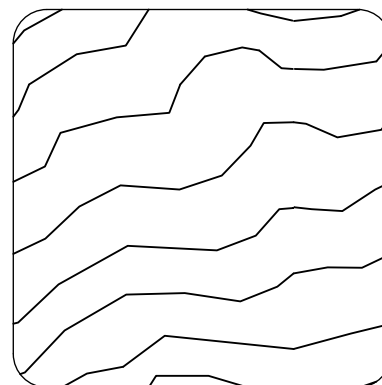


7,0 x 7,0 cm

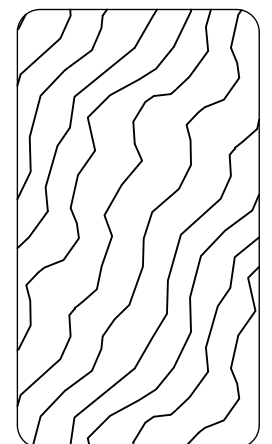


1,6 x 14,0 cm

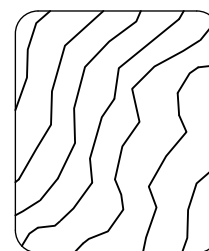
Lp.	Kod	Wymiary [mm]	szt.
1a	09803	90x90x2200mm	1
2a	06453	70x70x2200mm	2
3	09805	50x50x2200mm	4
4	05908	32x58x1250mm	2
5	04457	32x58x800mm	5
6	09807	32x58x668mm	3
7	04617	32x58x610mm	2
8	04619	32x58x550mm	2
9a	05177	32x58x324mm	1
10a	05179	32x58x270mm	1
11	05709	32x45x700mm	4
12	09815	16x140x800mm	16
13	09821	16x140x600mm	4
14	04645	16x90x1200mm	1
15	04465	16x90x800mm	11
16a	05187	16x90x300mm	1
17a	04471	27x32x542mm	2



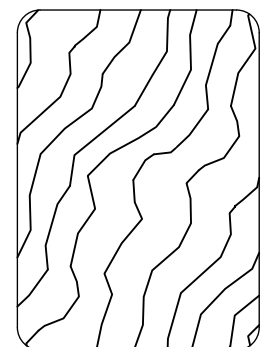
5,0 x 5,0 cm



3,2 x 5,8 cm

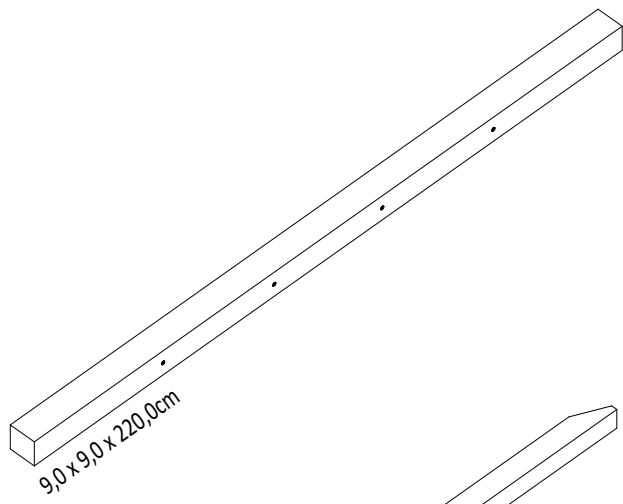


2,7 x 3,2 cm

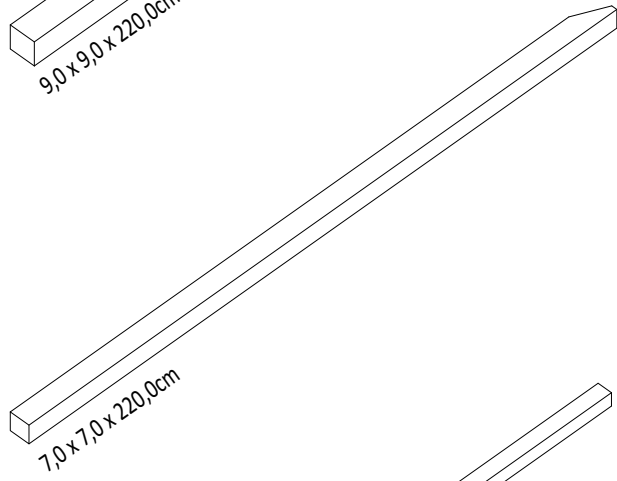


3,2 x 4,5 cm

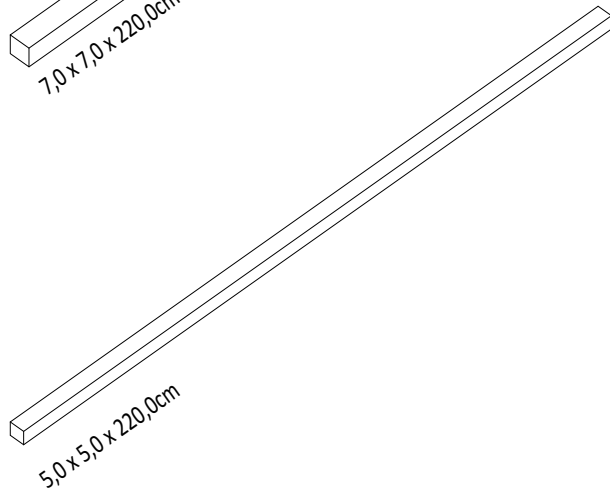
1a



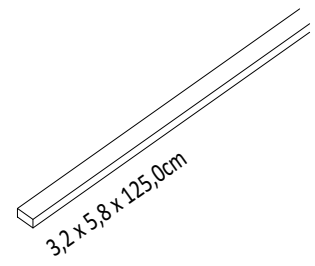
2a



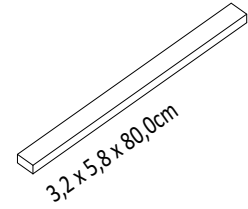
3



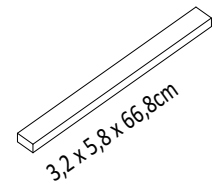
4



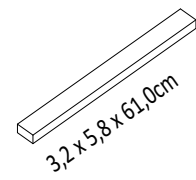
5



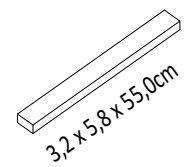
6



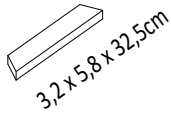
7



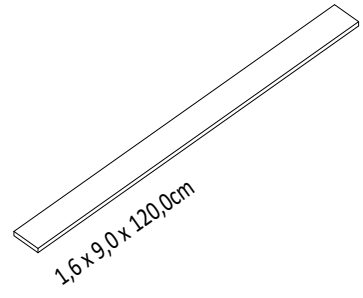
8



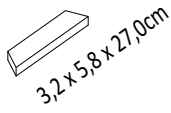
9a



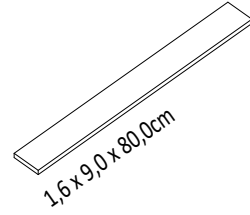
14



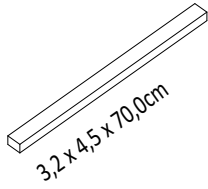
10a



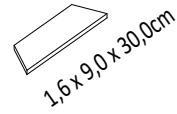
15



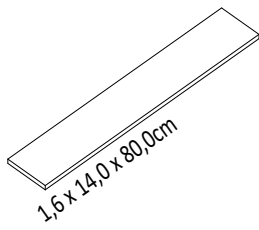
11



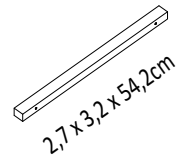
16a



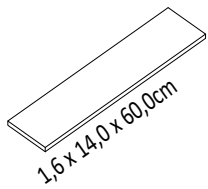
12a



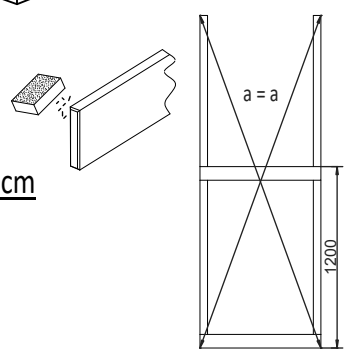
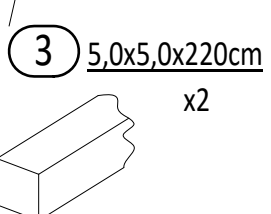
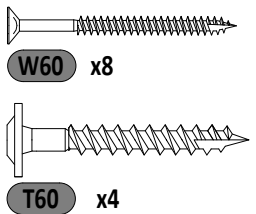
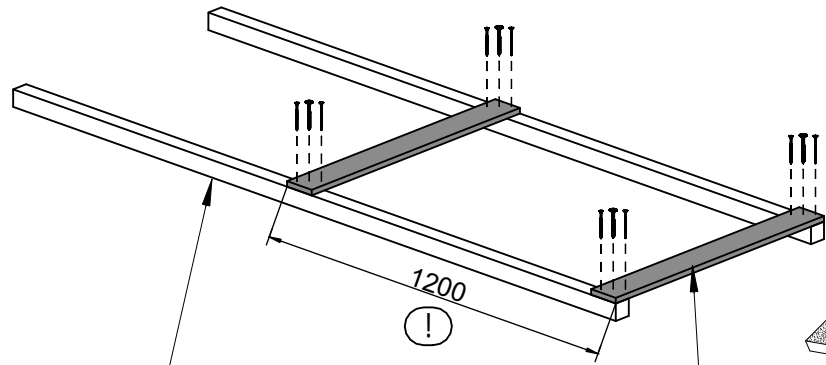
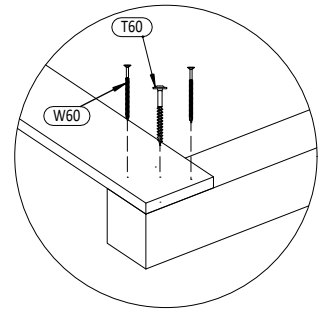
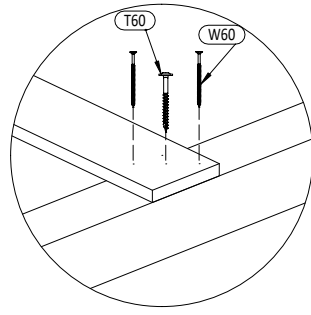
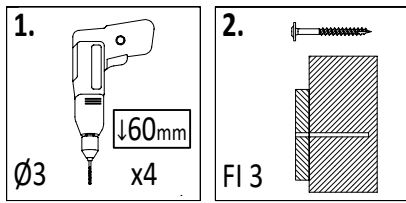
17a



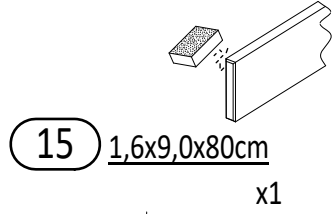
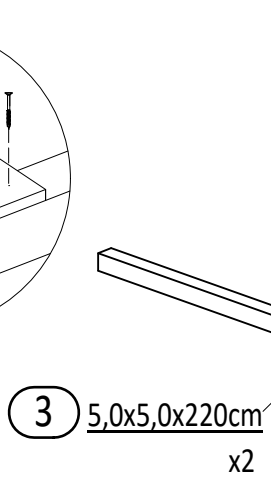
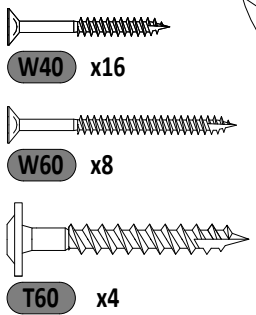
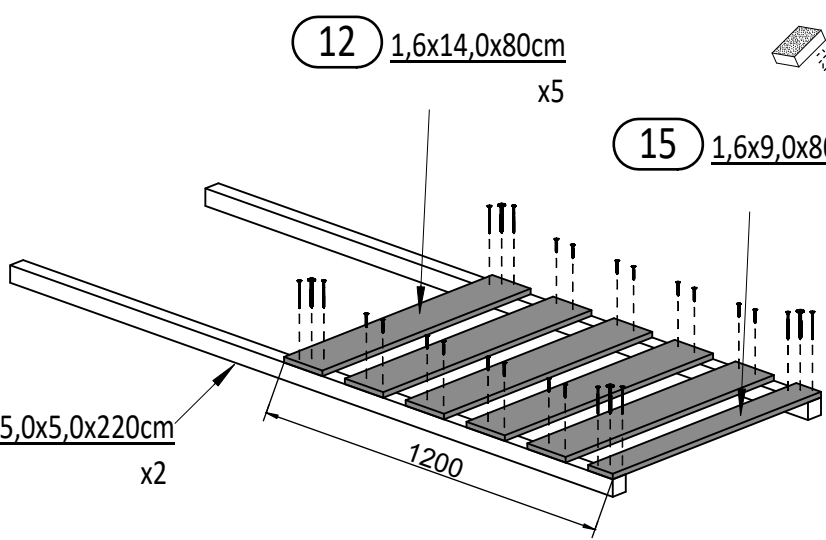
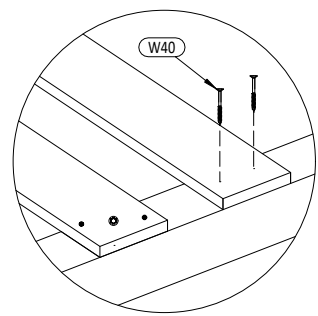
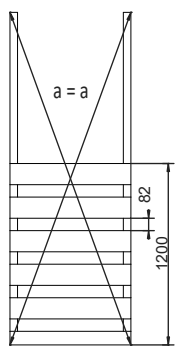
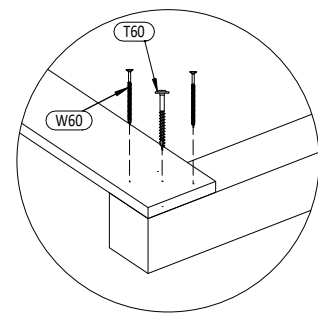
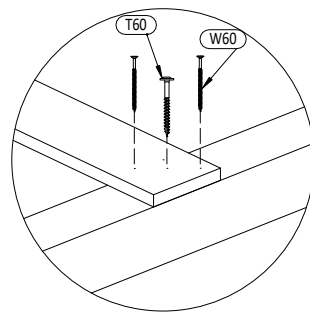
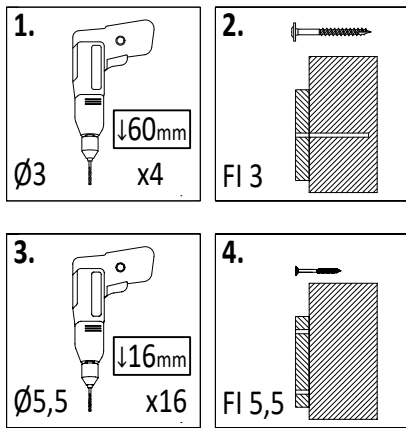
13

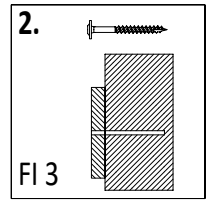
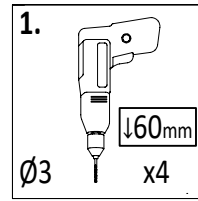
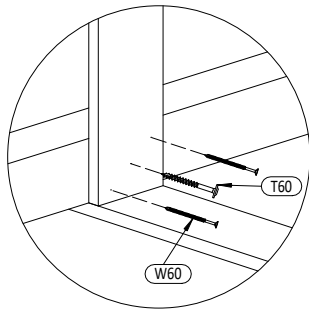


01

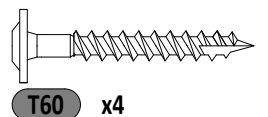
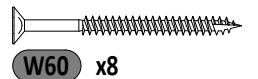
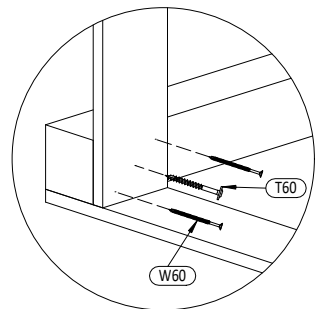
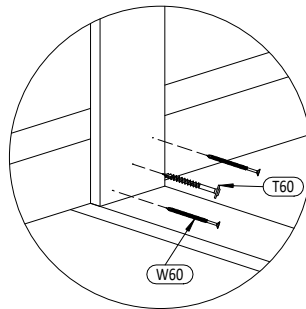
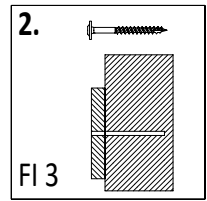
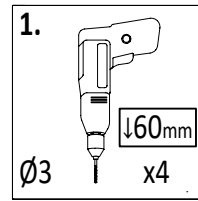
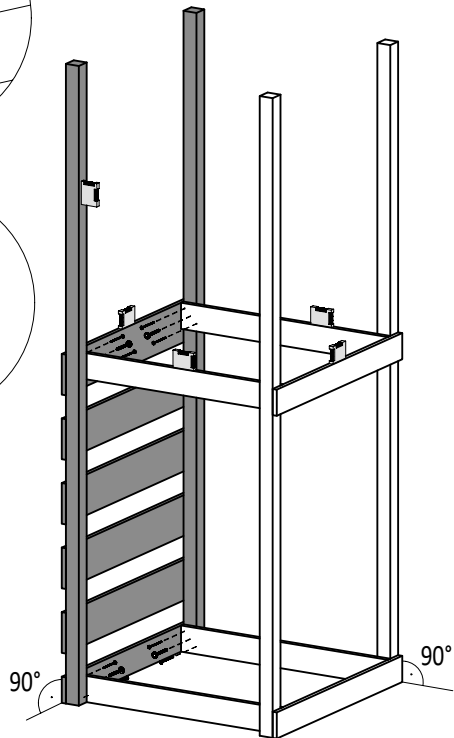
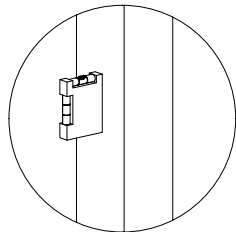
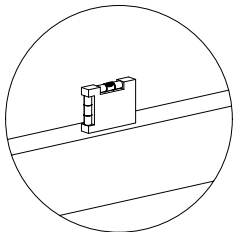
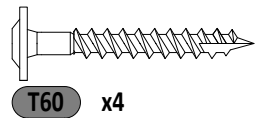
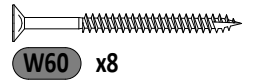
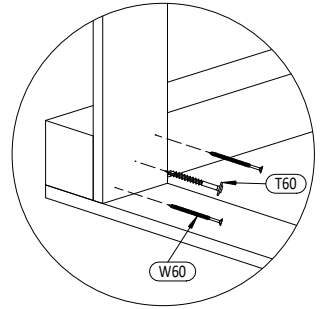
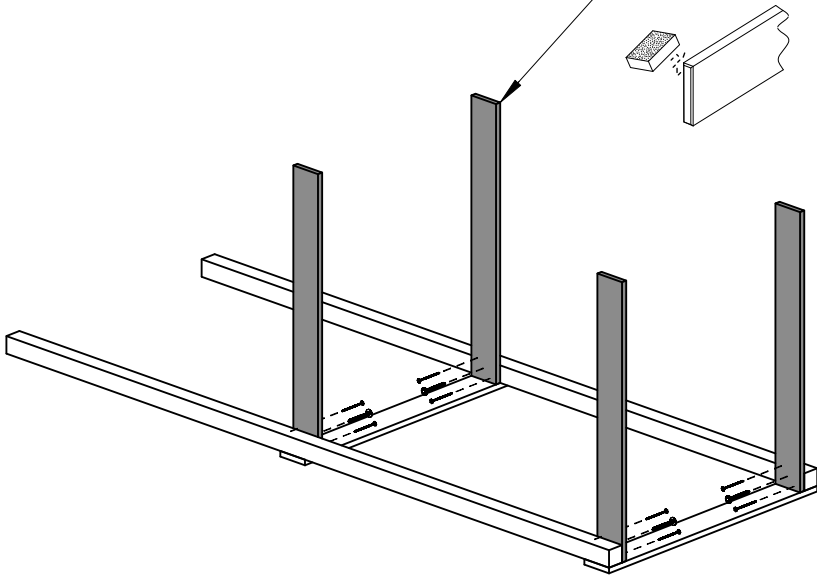


02

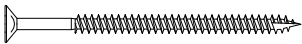
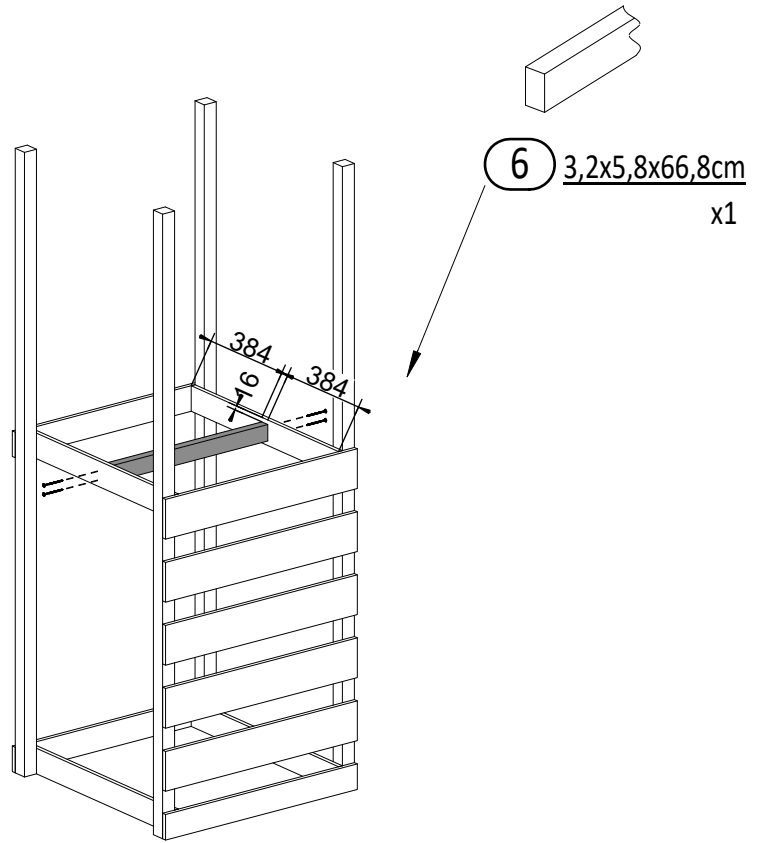
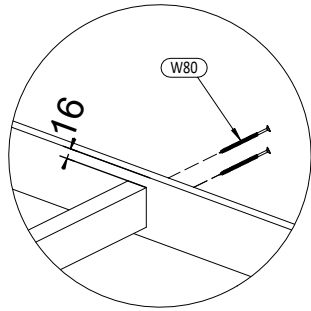




15 1,6x9,0x80cm
x4

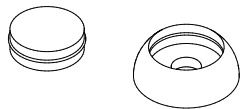
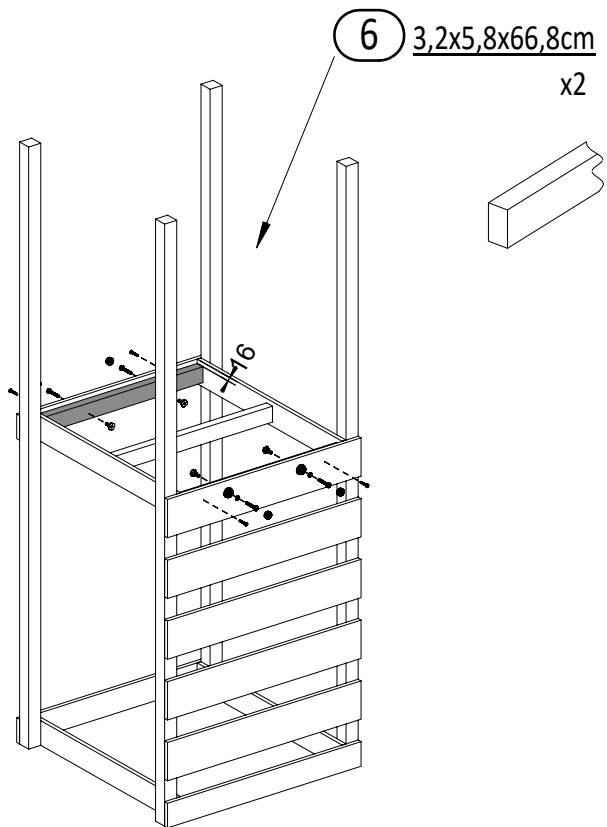
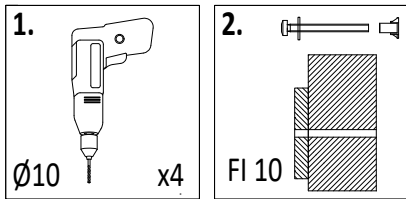


05



W80 x4

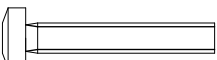
06



OS1 x4



W40 x4



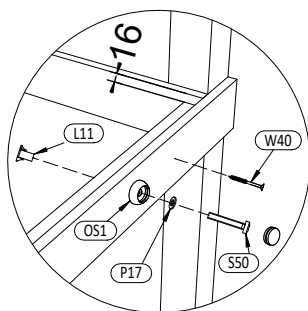
S50 x4



P17 x4

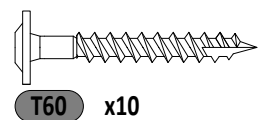
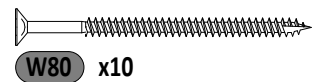
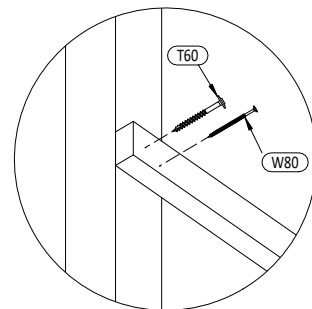
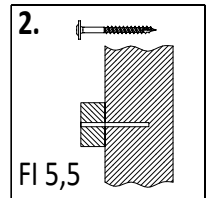
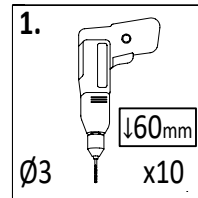
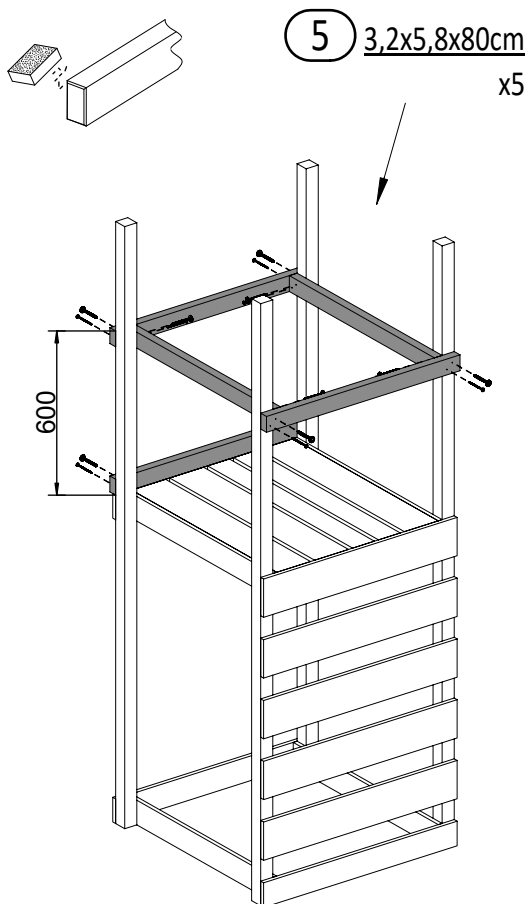
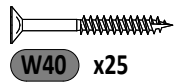
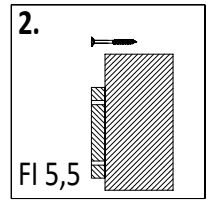
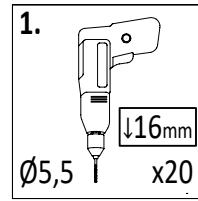
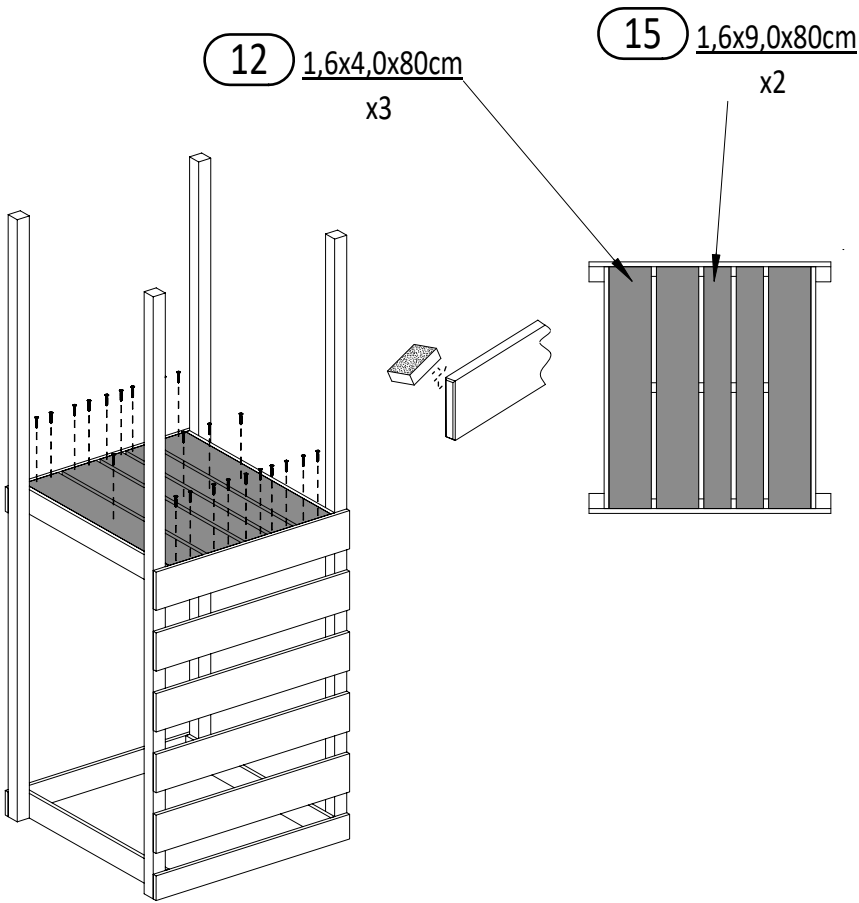


L11 x4

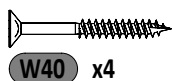
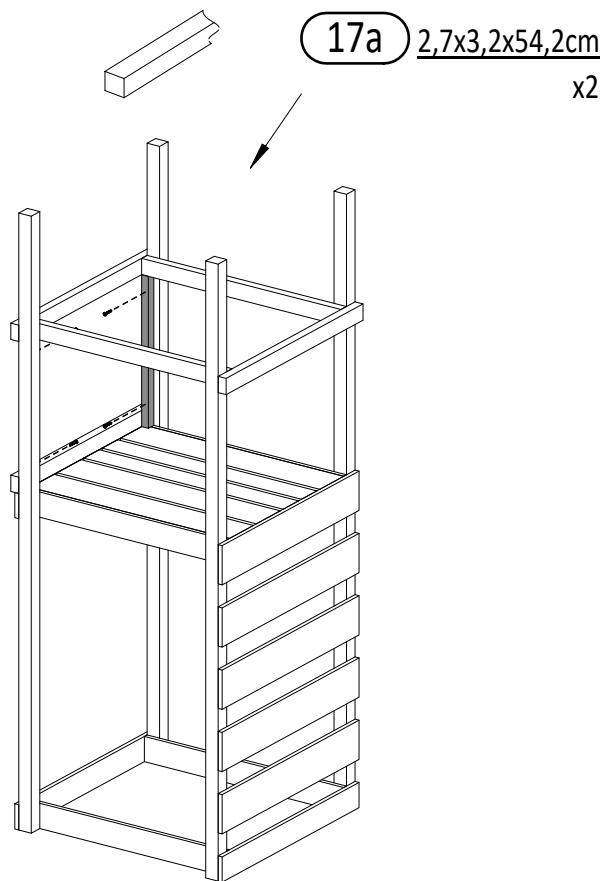
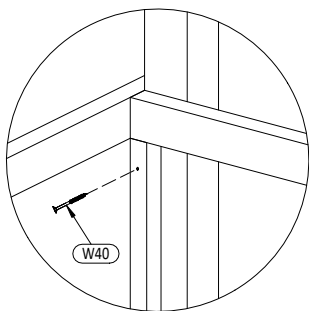
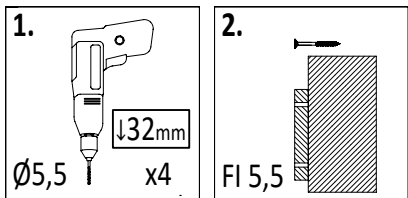


10 MaxPlay 2.2

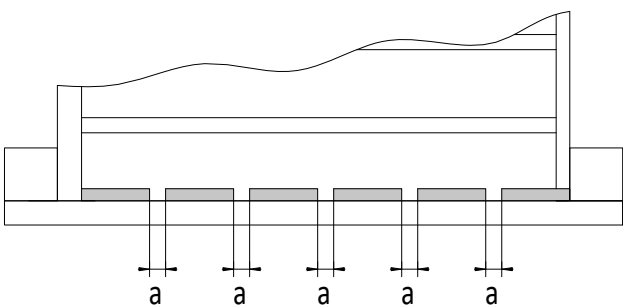
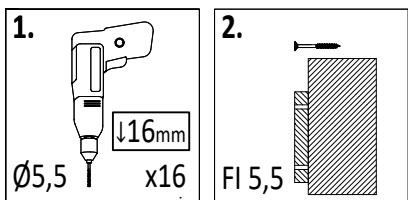
Zgodne z normą PN-EN 71 stosuj zalecenia producenta odnośnie odległości oraz metody mocowania poszczególnych elementów
In compliance with the standard PN-EN 71, apply guidelines of the producer in relation to distances and methods of fastening individual elements



09

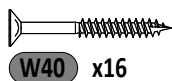
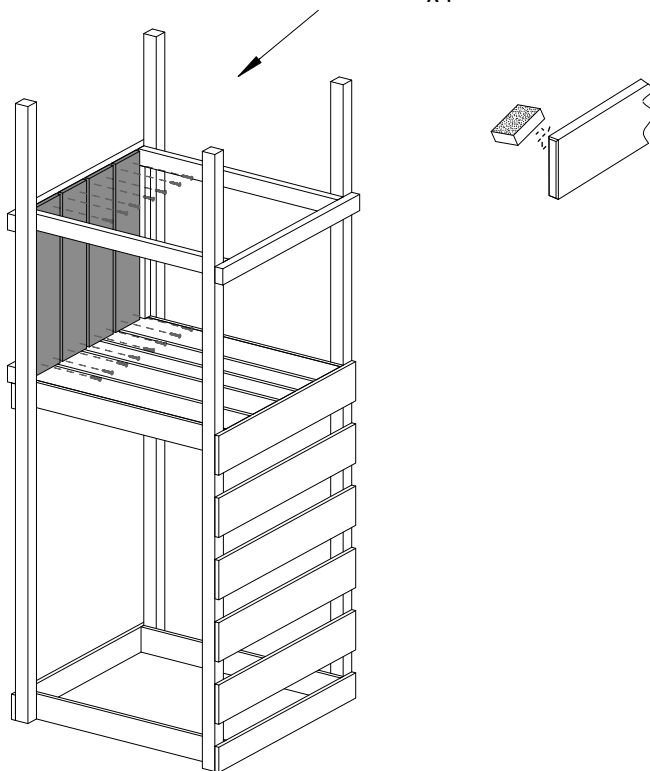


10



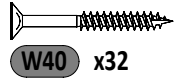
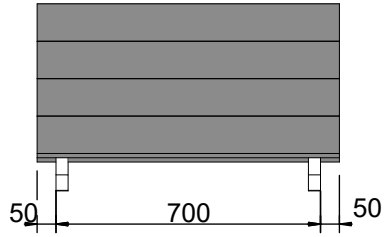
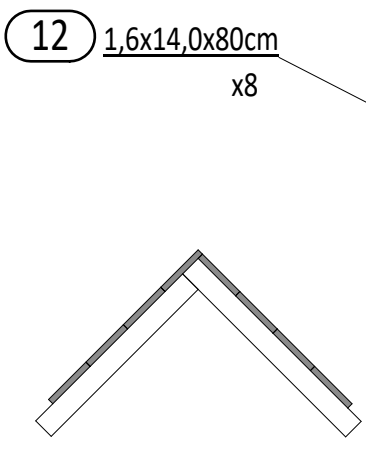
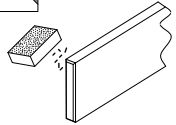
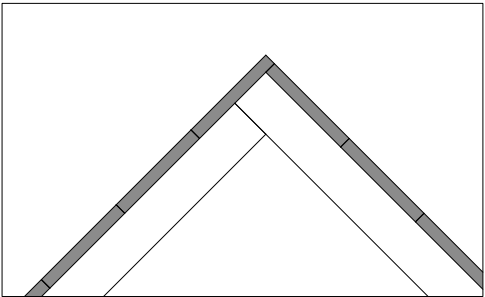
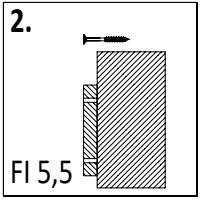
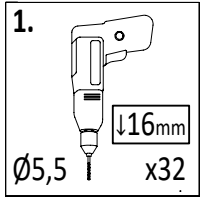
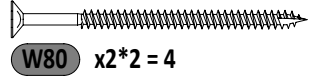
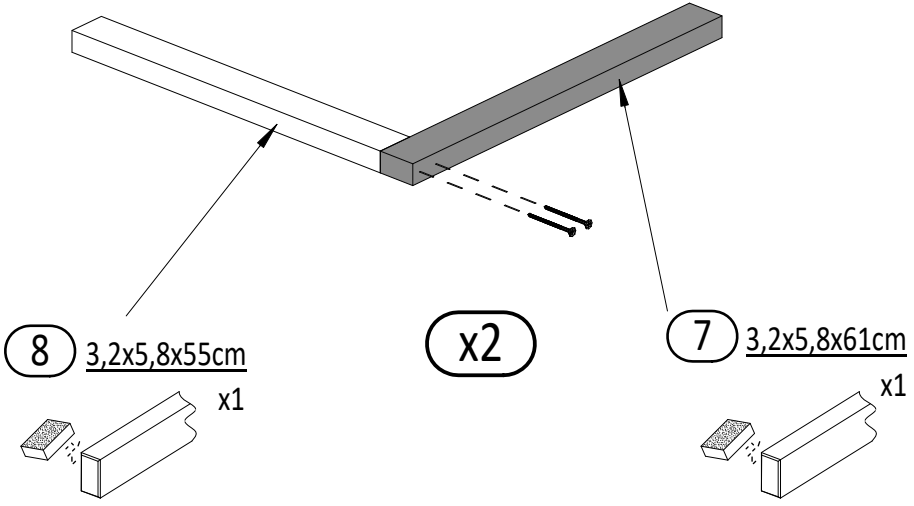
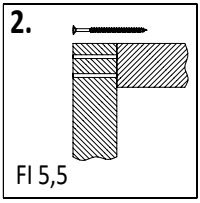
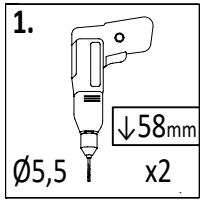
!!!min 13mm < a < !!!max 17mm

13 1,6x14,0x60cm
x4



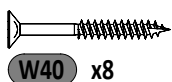
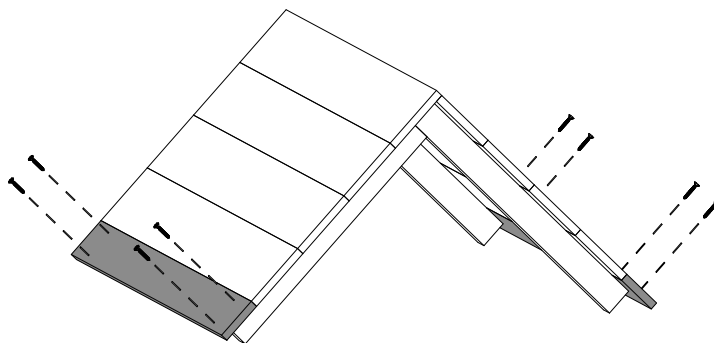
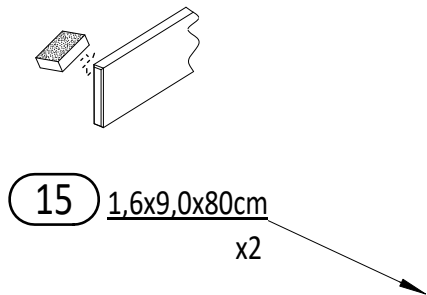
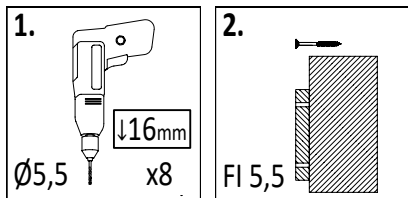
12 MaxPlay 2.2

Zgodne z normą PN-EN 71 stosuj zalecenia producenta odnośnie odległości oraz metody mocowania poszczególnych elementów
In compliance with the standard PN-EN 71, apply guidelines of the producer in relation to distances and methods of fastening individual elements

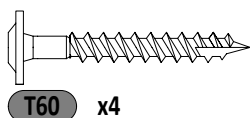
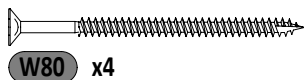
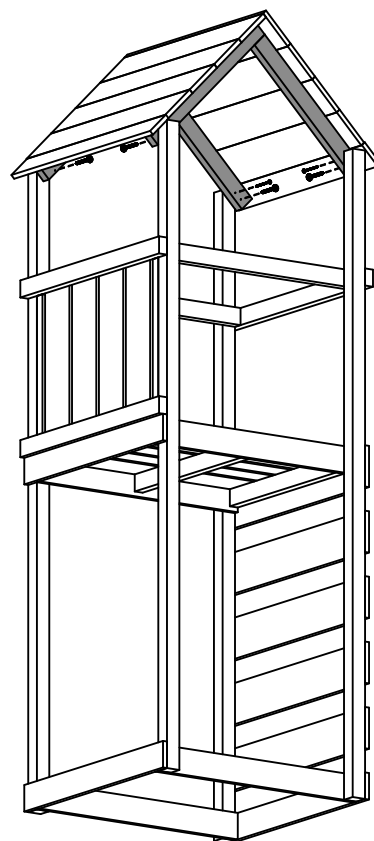
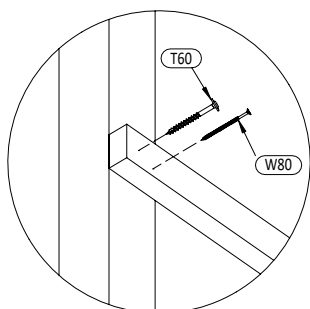
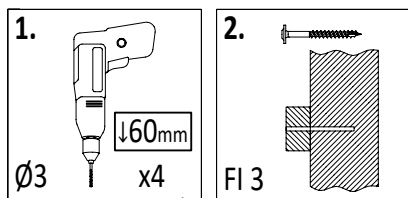


Zgodne z normą PN-EN 71 stosuj zalecenia producenta odnośnie odległości oraz metody mocowania poszczególnych elementów
 In compliance with the standard PN-EN 71, apply guidelines of the producer in relation to distances and methods of fastening individual elements

13

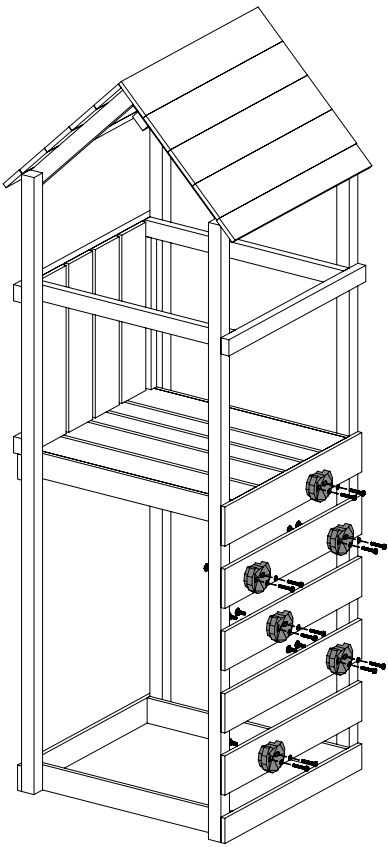
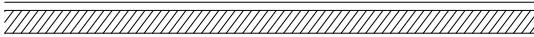
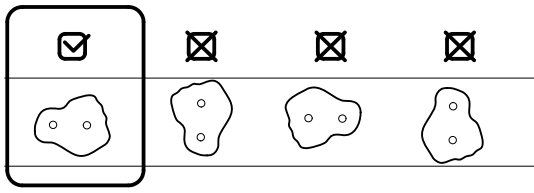
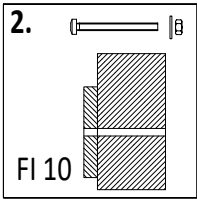
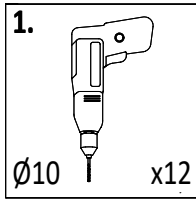


14

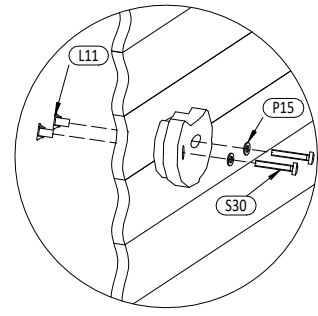


14 MaxPlay 2.2

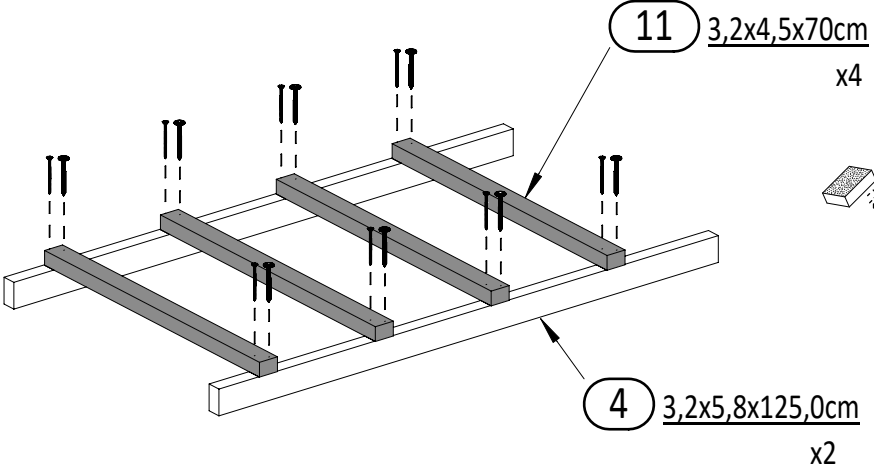
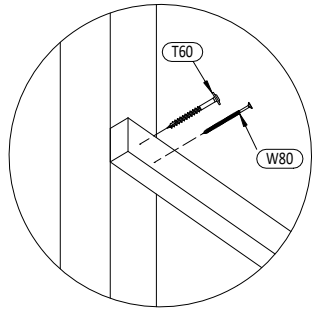
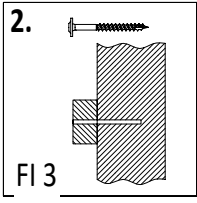
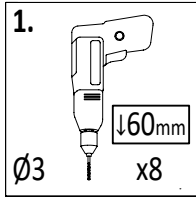
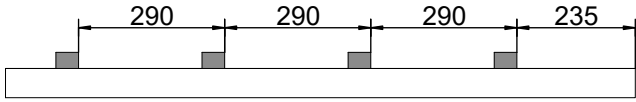
Zgodnie z normą PN-EN 71 stosuj zalecenia producenta odnośnie odległości oraz metody mocowania poszczególnych elementów
 In compliance with the standard PN-EN 71, apply guidelines of the producer in relation to distances and methods of fastening individual elements



SW x6



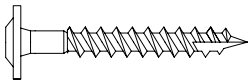
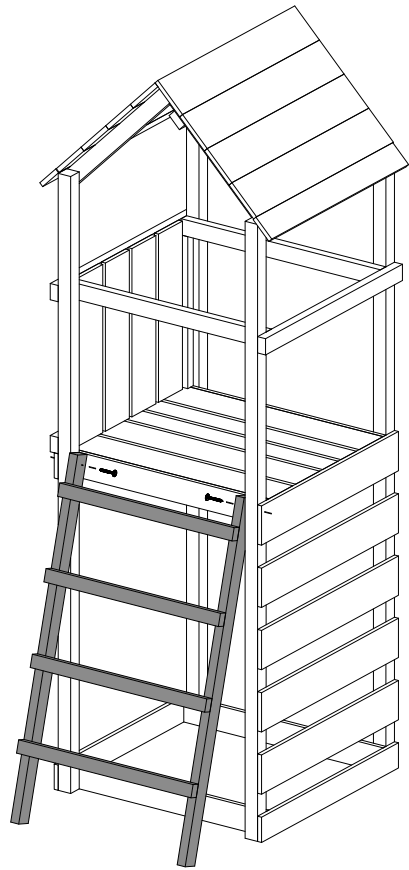
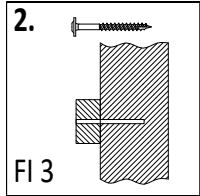
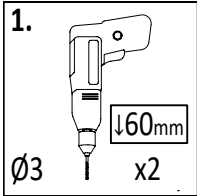
- S30** x12
- P15** x12
- L11** x12



- W80** x8
- T60** x8

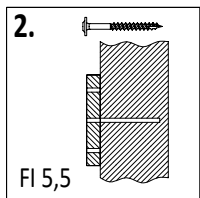
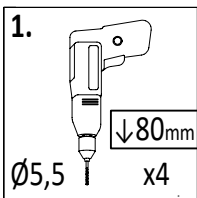
Zgodnie z normą PN-EN 71 stosuj zalecenia producenta odnośnie odległości oraz metody mocowania poszczególnych elementów
 In compliance with the standard PN-EN 71, apply guidelines of the producer in relation to distances and methods of fastening individual elements

17

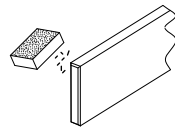


T60 x2

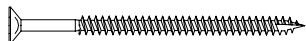
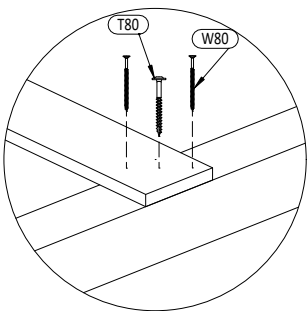
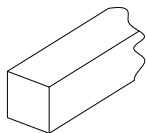
18



14 1,6x9,0x120cm x1



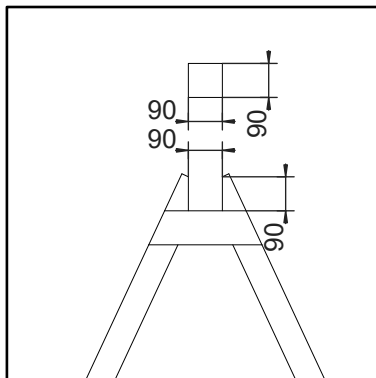
2a 7,0x7,0x220cm x2



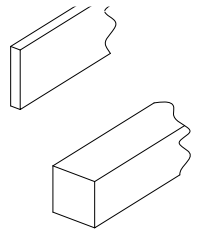
W80 x8



T80 x4



16a 1,6x9,0x30,0cm x1

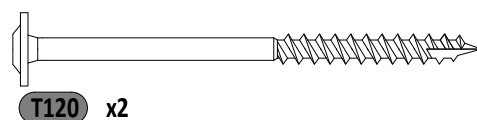
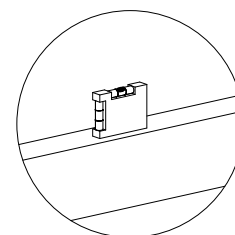
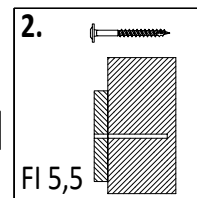
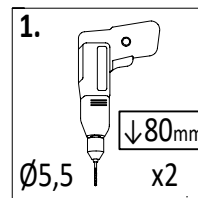
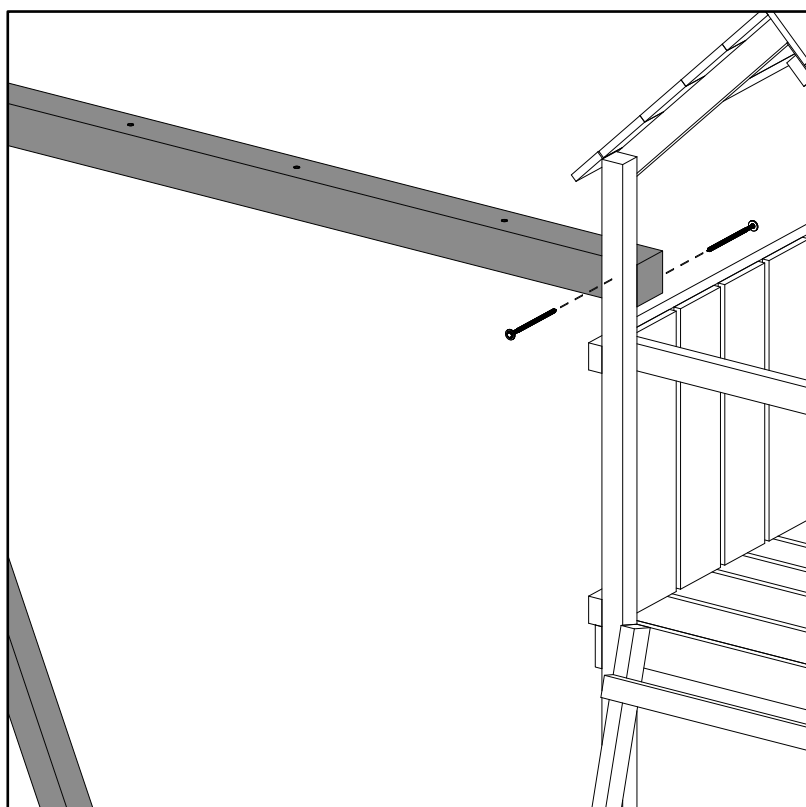
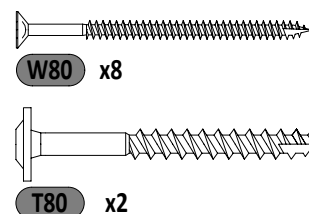
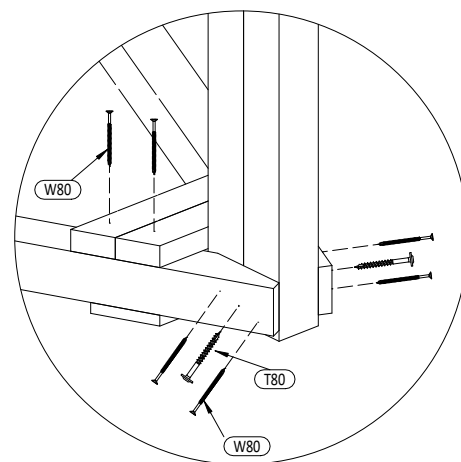
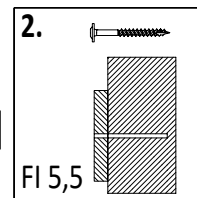
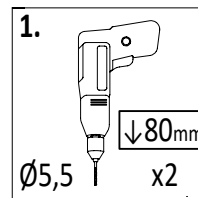
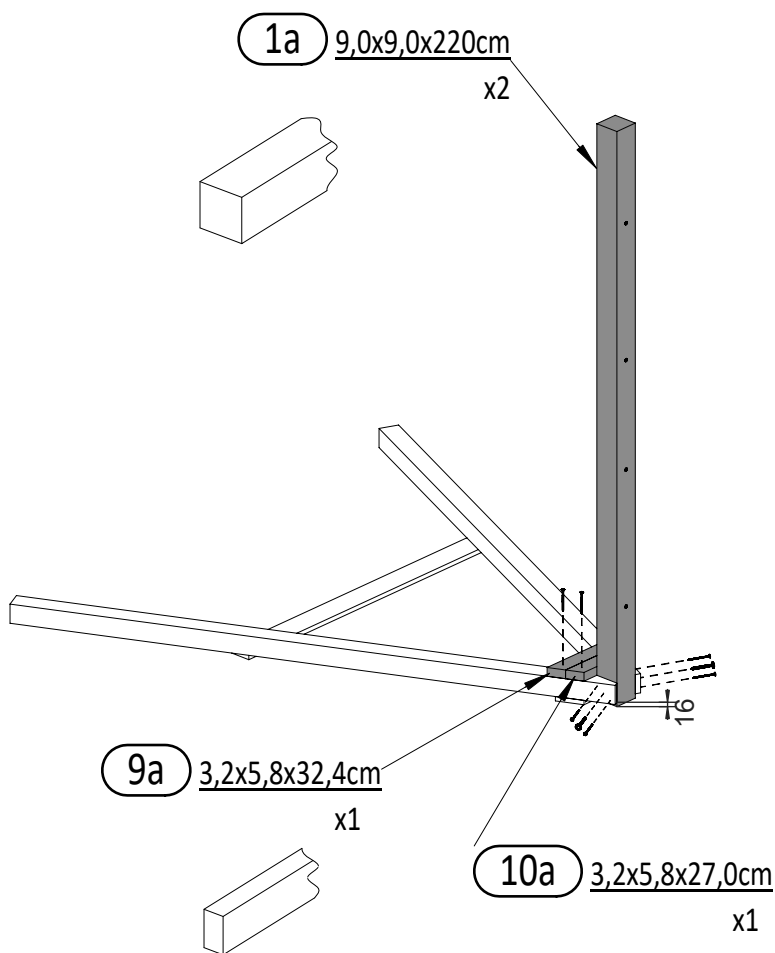


1a 9,0x9,0x220cm x1

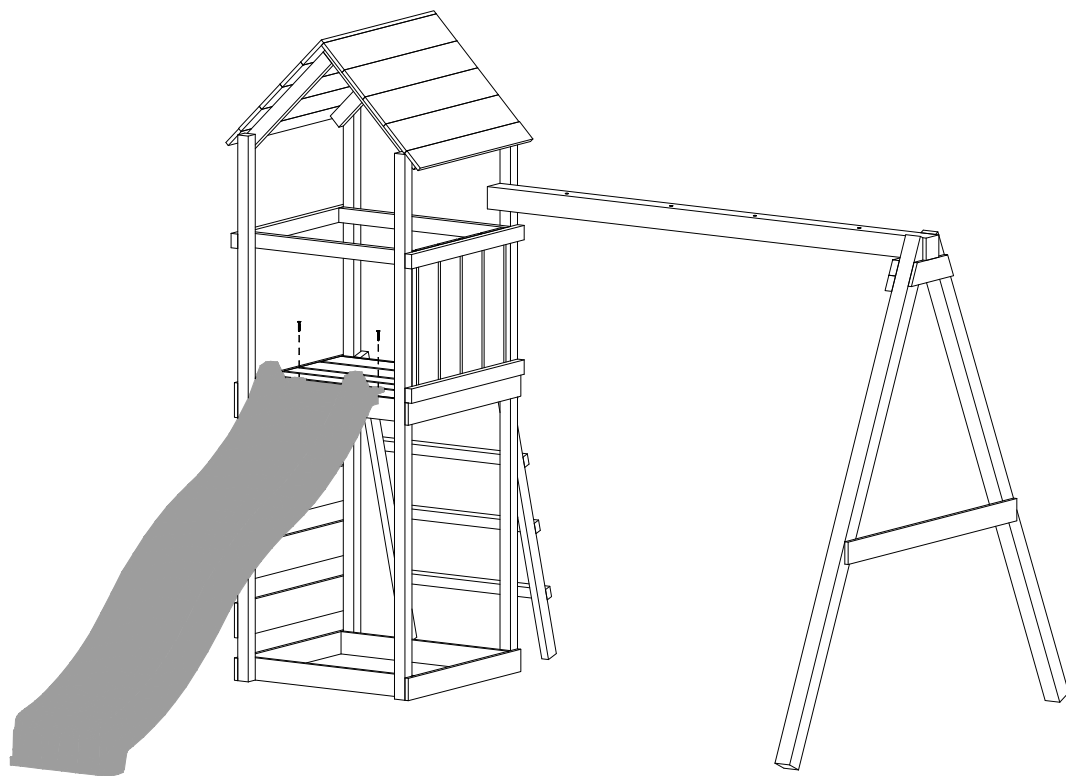
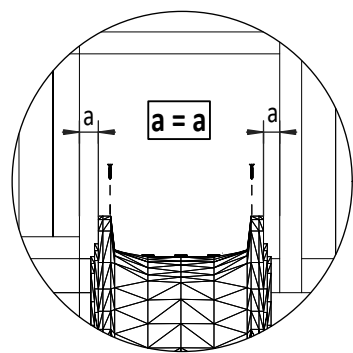


16 MaxPlay 2.2

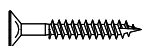
Zgodnie z normą PN-EN 71 stosuj zalecenia producenta odnośnie odległości oraz metody mocowania poszczególnych elementów
In compliance with the standard PN-EN 71, apply guidelines of the producer in relation to distances and methods of fastening individual elements



21



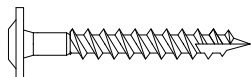
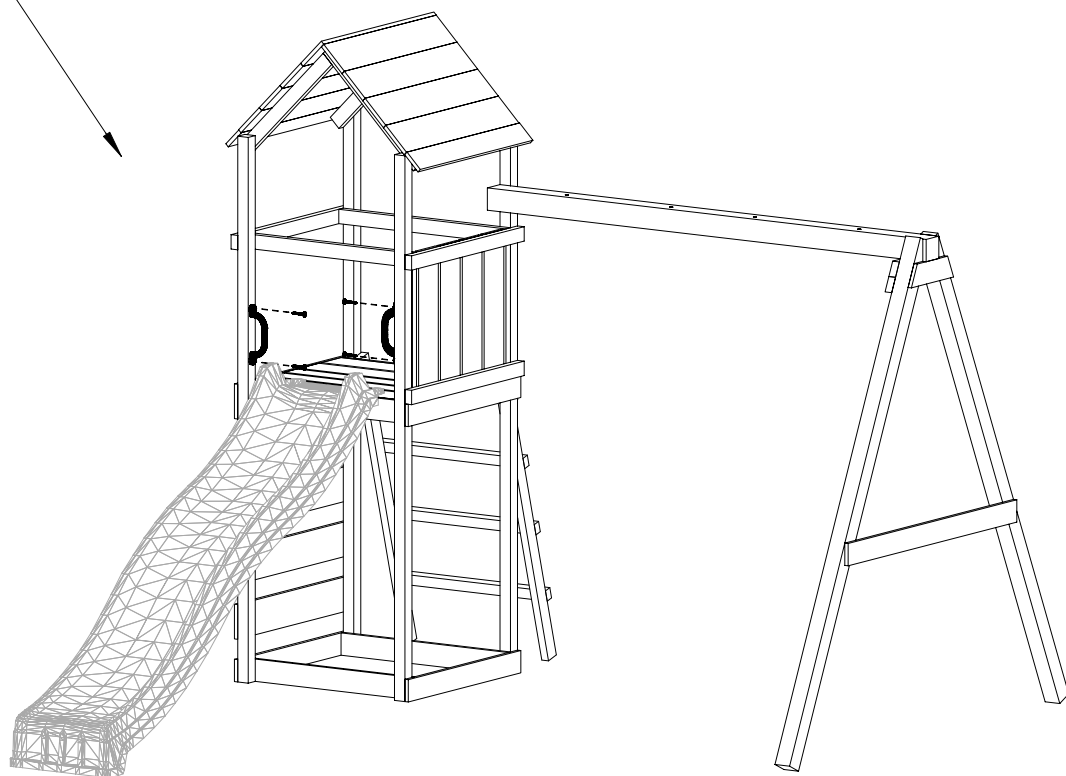
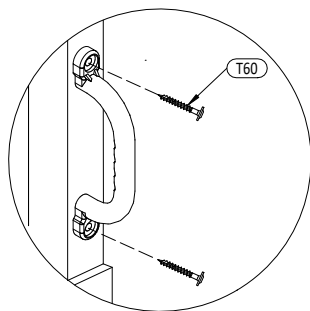
Z x1



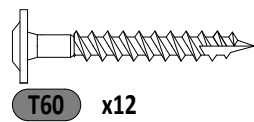
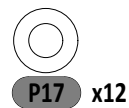
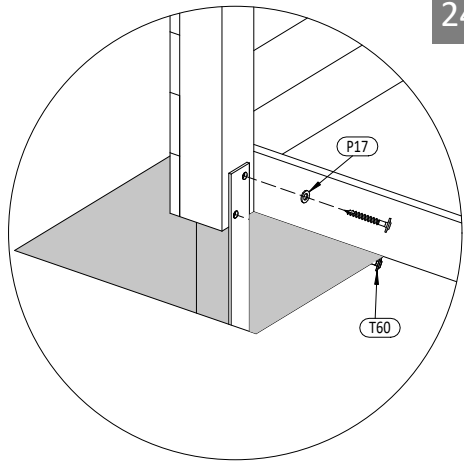
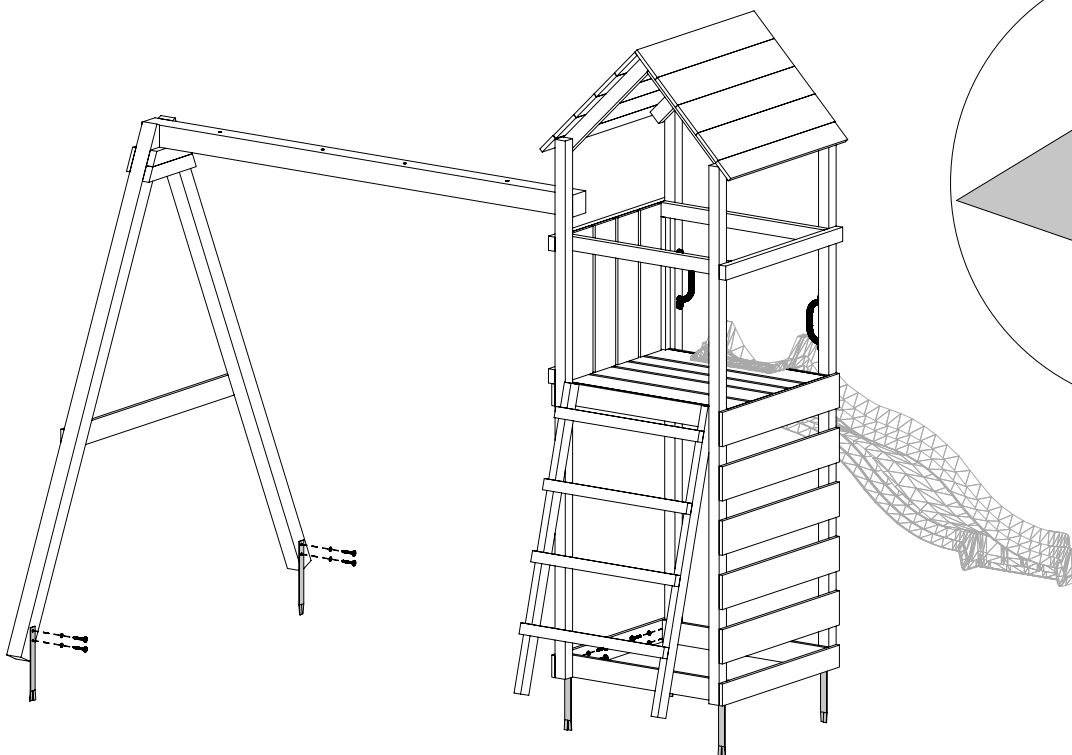
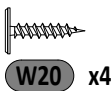
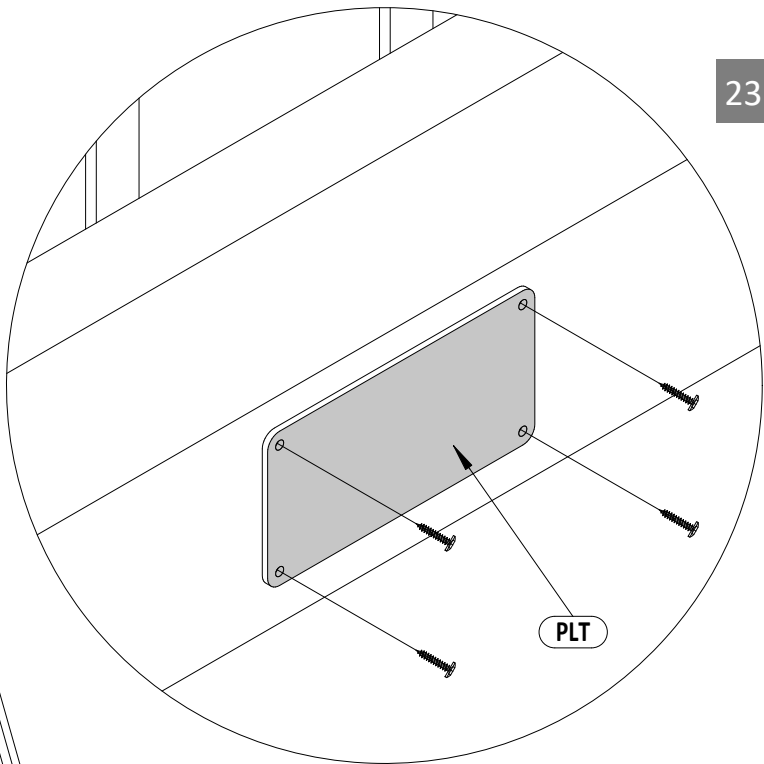
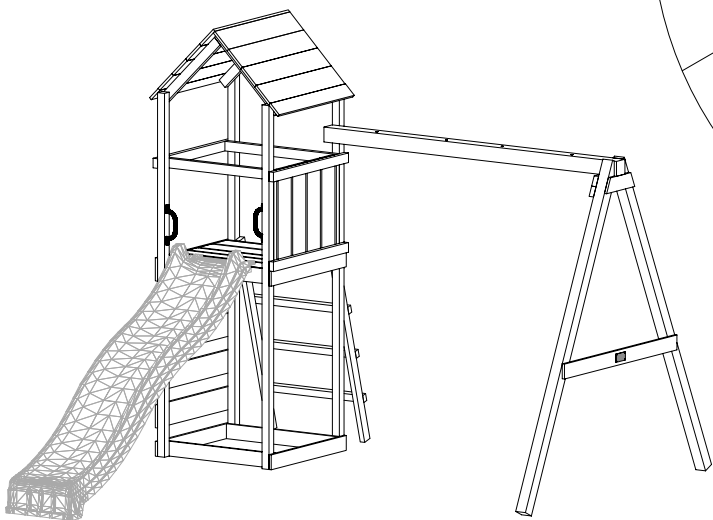
W30 x2

22

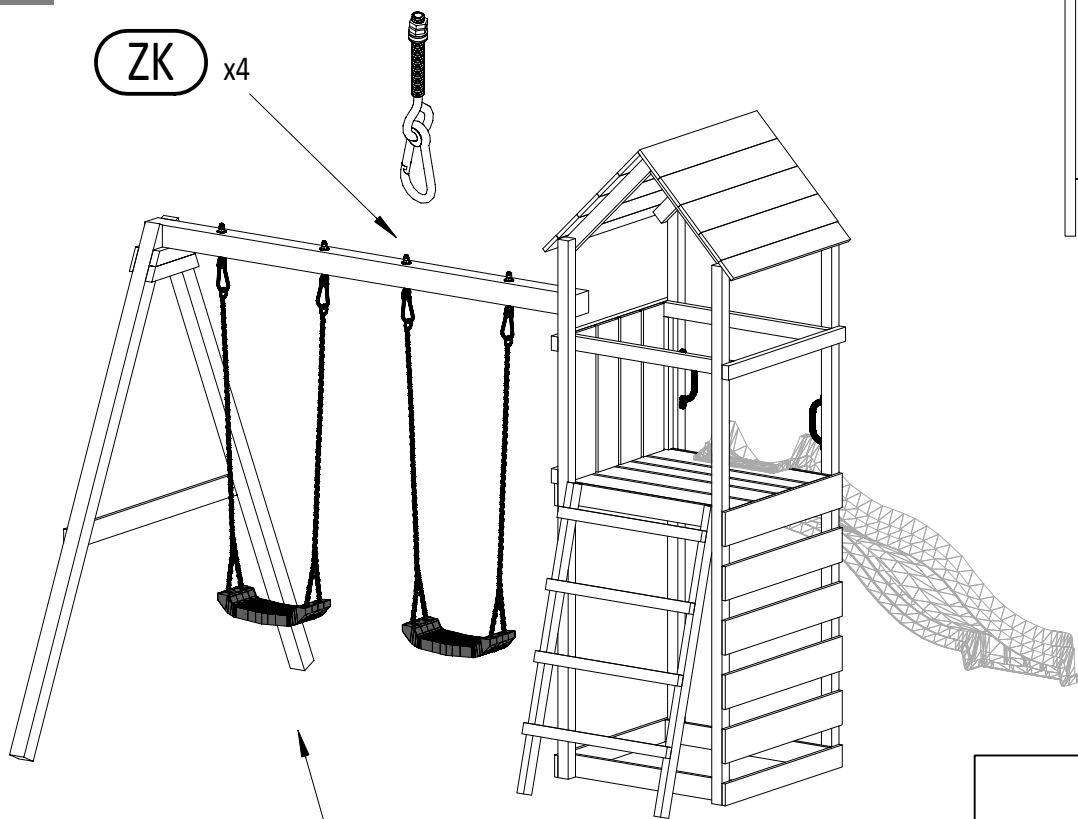
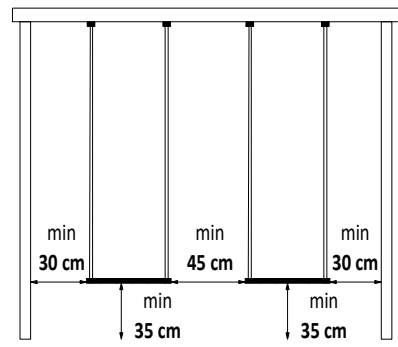
UC x2



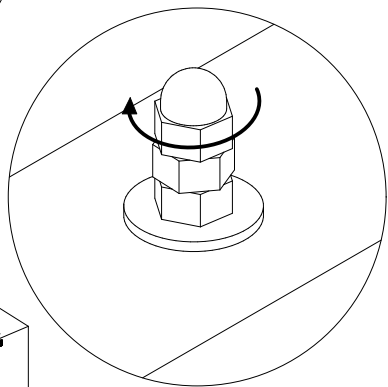
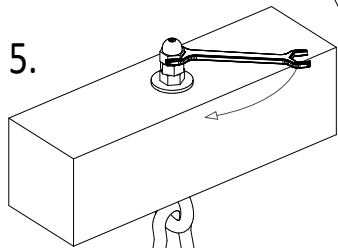
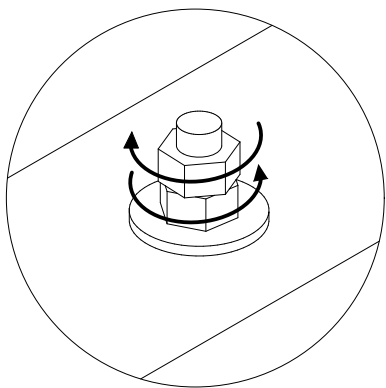
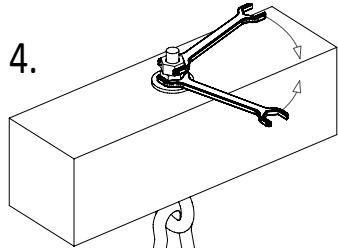
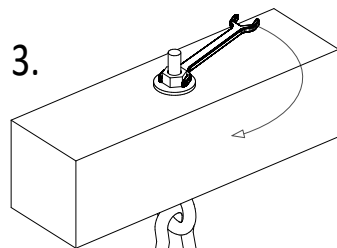
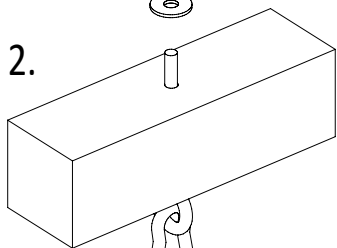
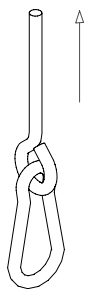
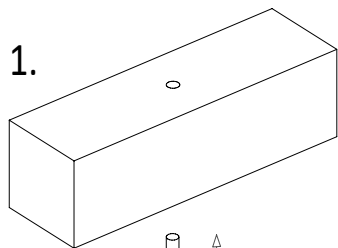
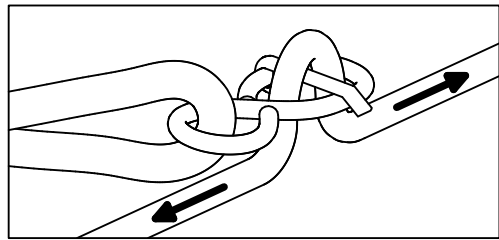
T60 x4



ZK x4



SF x2



M10 x4